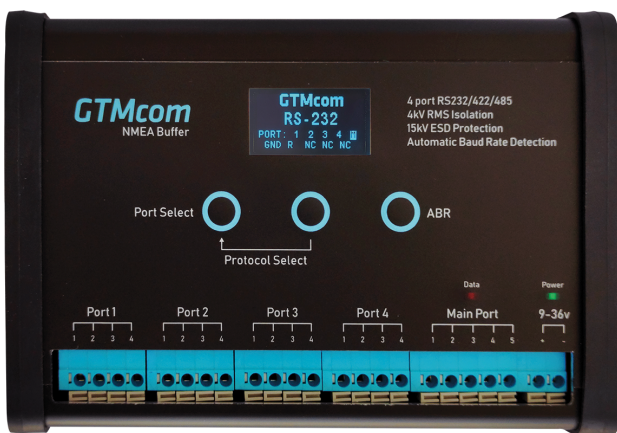


## TECHNICAL DATA SHEET

NB-M401 is designed for use in the toughest environments with its robust body structure and high quality components. NB-M401 allows you to isolate and buffer NMEA 0183 data from a single talker up to four listeners. It is possible find and display the speed of your communication source with a single button (BRM) UTS-M401 also enables users to switch in-between ports and adjust the communication protocol with the user friendly buttons and screen.



### Product Features

- 1 input - 4 output
- Input and output ports are isolated from each other and the power supply
- 4000 V RMS isolation for all ports
- Automatic Baud Rate Detection (Detects input port baudrate)
- Baud Rate and Port Monitoring (Displayed on the screen)
- RS- 232/422/485 modes for all input and output ports
- Max Data Rate up to 1 Mbps in RS-232, 2 Mbps in RS-422/485 Modes
- Half/Full Duplex
- Enhanced Failsafe for open, shorted or terminated but idle inputs
- Allows up to 256 devices on a single comm bus (1/8th unit load)

### Strong Insulation Structure

All input and output ports are isolated from each other and the power supply to ensures the protection of the Talkers and Listeners. NB-M401 provides 4kV RMS isolation for each port. Thus, when any serial communication source is exposed to an electrical surge, you can still continue using all other communication ports without any problems.

### Baud Rate & Port Monitoring

The BRM system of UTS-M401 finds the speed of communication sources even those that are previously unknown by the user. Regardless of the communication protocol, you can find the serial communication speed of your device and display both the communication speed and data flow by using the buttons

### Easy Configuration

Unlike conventional products, you do not need dipswitches and complex combinations to configure the NB-M401. You can easily set your desired communication protocol with two keys and a user-friendly screen. You can access all the required pins through the DB9 connector on the product.

#### Setup Screen



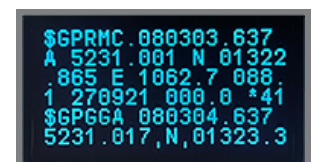
#### Baud Rate Monitor



#### Easy Configuration

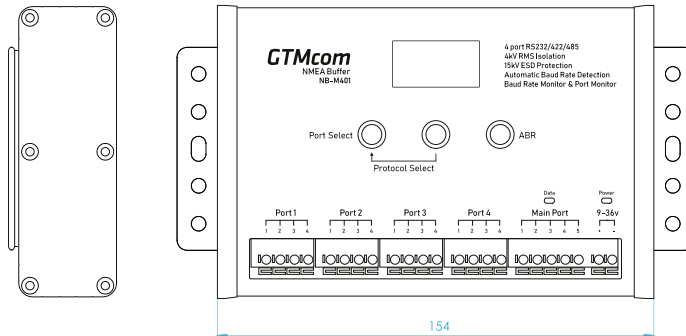


#### Port Monitor

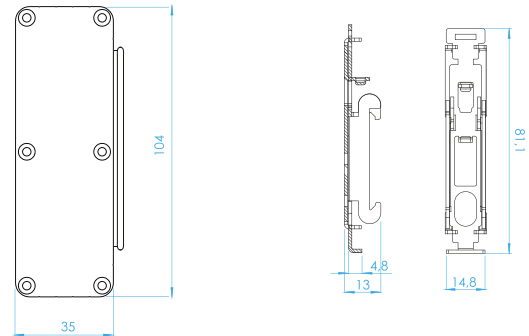


## DIMENSIONS

GTMCOM NB-M401



DIN RAIL (OPTIONAL)



## SPECIFICATIONS

Overview	
Product Type	4 Port Isolated NMEA BUFFER
Port Connections	Terminal Blocks
Number of Connections	1x Input, 4x Output
Isolation	4 kV RMS Isolation, -8kV Contact, +/-15kV Air
Protection	15kV ESD Protection
Protocol	RS232 / RS422 / RS485
NMEA Version	NMEA 0183
Mechanical / Enviromental	
Dimensions	154±2mm(L)x104±3mm(W)x35±3mm(H)
Enclosure	Aluminum 6060, Rubber Bumpers
Color	Black
Temperature Range	-40 to +85 °C (-40 to +185 °F)
Mount Options	Din-Rail Mountable, Surface Mount, Wall Mount
Serial	
Baud Rates	300 bps to 2 Mbps
Parity	Odd, Even, Set, Mark and None
Data Bits	5, 6, 7, and 8
Stop Bits	1, 1.5, and 2

## ORDERING INFORMATION

Product Overview	
Model Number	NB-M401
Packing List	NB-M401 4-Port NMEA BUFFER, Paper Manual
Optional Accessories	DIN Rail Mounting Kit